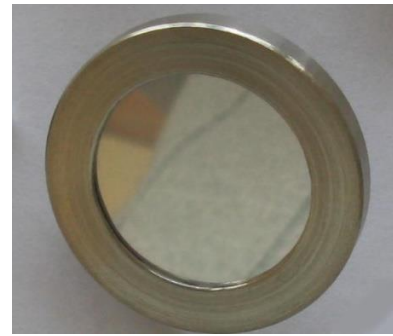


AD-25-500

Alpha particle detector

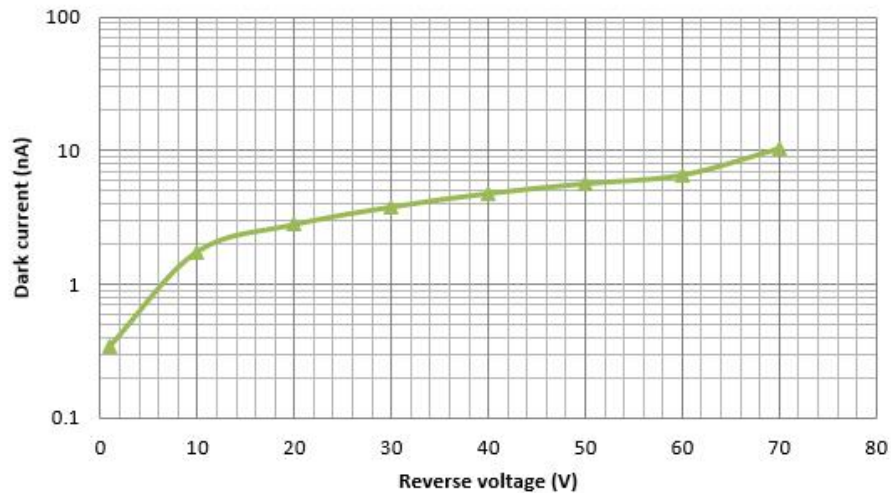
Manufacturer: AlexDetector



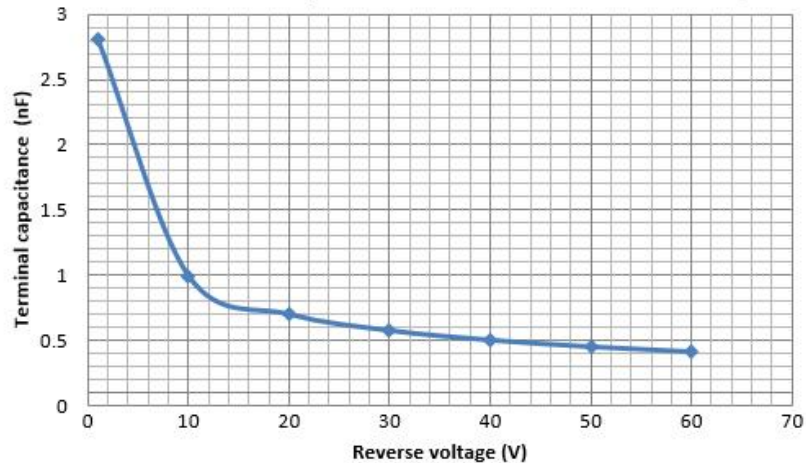
SPECIFICATIONS

Active area	500mm ²
Leakage current (V = 60 V., T = 20 ° C)	2-4 nA/cm ²
Capacity (V = 60 V., T = 20 ° C)	50 - 100 pF/cm ²
Max reverse voltage	100 V
Operating voltage	40-60 V
Energy resolution 5.48 MeV ²⁴¹ Am	~1%

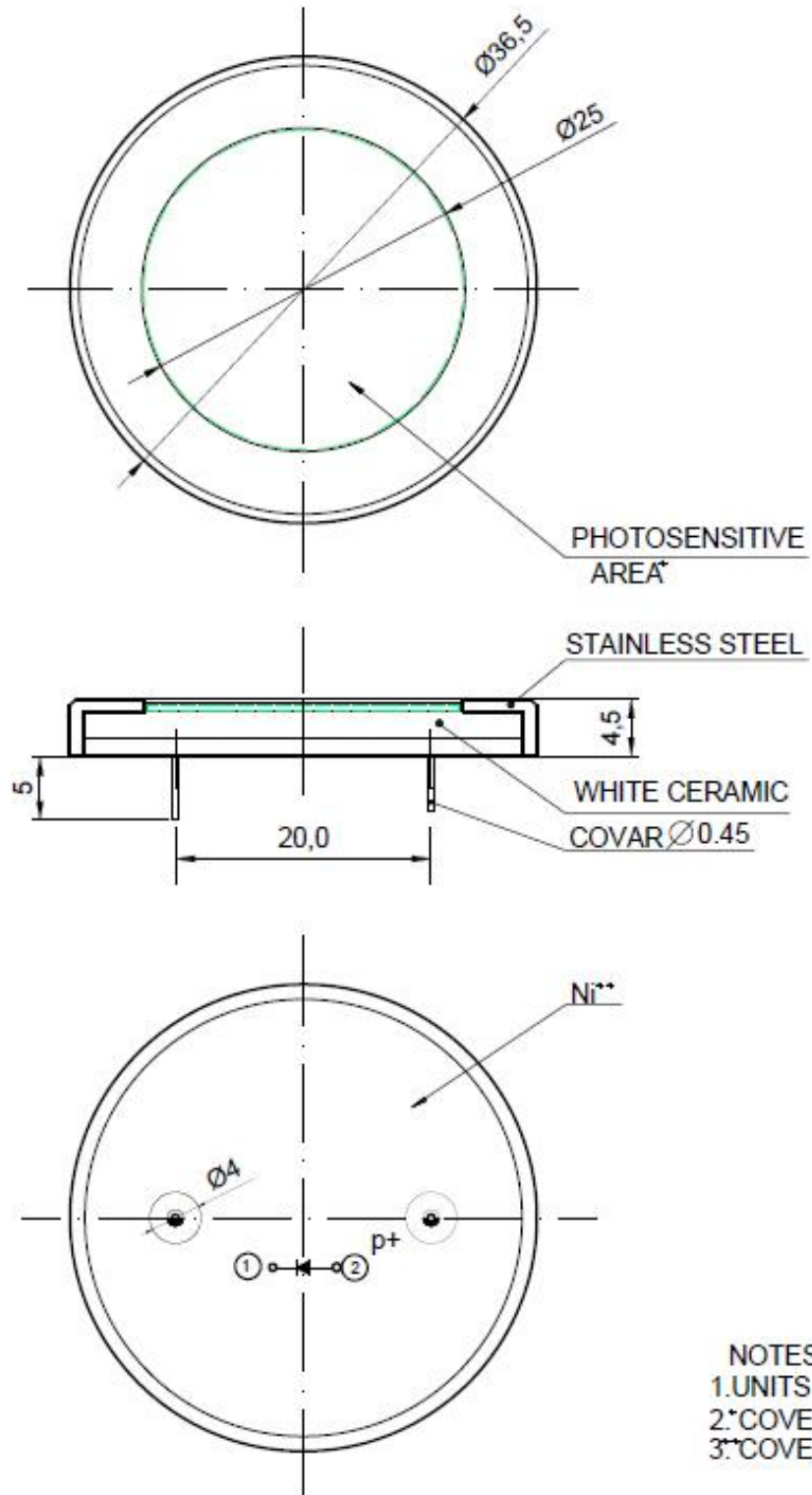
Dark current vs. reverse voltage



Terminal capacitance vs. reverse voltage



AD-25-500
STAINLESS STEEL CASE



ATTENTION: DO NOT TOUCH THE ACTIVE AREA OF THE DETECTOR!

OEM PRODUCTS PURCHASE AND USE CONDITIONS

Products of the OEM category are not intended for the end user. Products of this category are designed exclusively for developers and manufacturers of electronic equipment. Manufacturer of this product can not check the conditions of use and storage, compliance with the requirements of "absolute electrical values" and "parameters" sections, other requirements listed in product documentation, or customer technical expertise. By purchasing this product, you agree that this product is not subjected to return or replacement. The manufacturer ensures the QC of the entire batch of products before shipment to the customer.

Contacts: info@scintillators.ru

Web: <https://scintillators.ru>